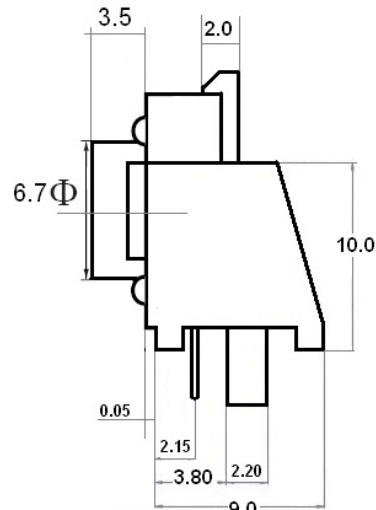
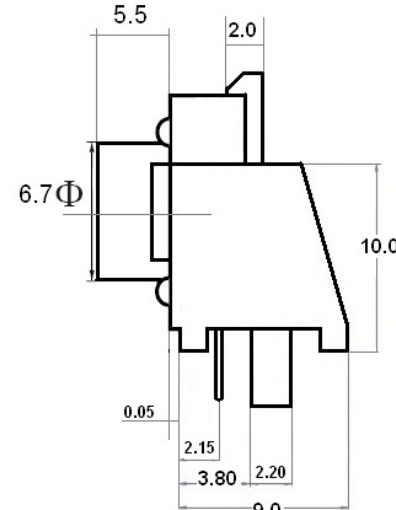


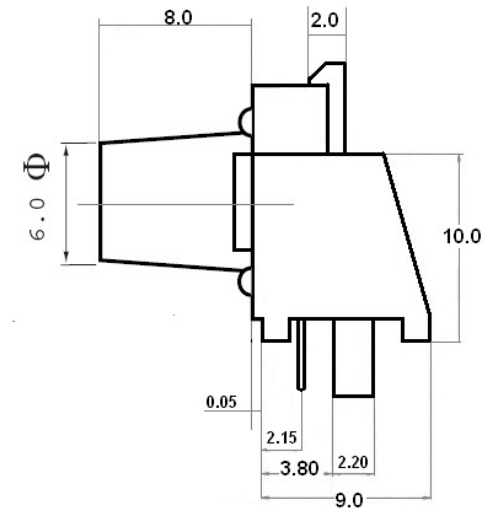
**60-2V5E**



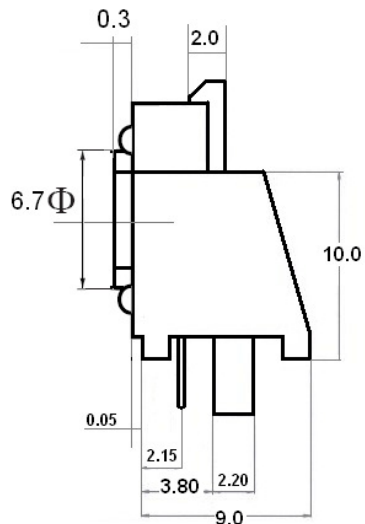
**60-2V5B**



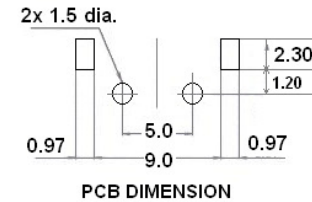
**60-2V5F**



**60-2V5D**



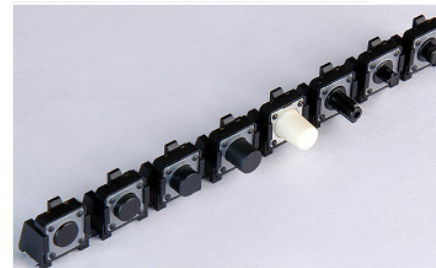
**60-2V5A**



**SPECIFICATIONS:**

CONTACT	: METAL CONTACT
RATING	: 50 mA x 12 V DC
CONTACT RESISTANCE	: 100 mΩ MAX
PROOF VOLTAGE	: 250 V AC FOR 1 MIN
INSULATION RESISTANCE	: 100 MΩ MIN/100 V DC
RESISTANCE TO SOLDERING HEAT	: HAND 270 ± 10°C - 3 SEC MAX AUTO 255 ± 5°C - 5 SEC MAX

**Operating temp: -40 to 85 Deg. C**



**Product: Vertical 12x12mm tact switch**

DIMENSIONS: MM TOLERANCE: ± 0.2 MM	
CHECKED BY:	DATE:
APPROVED BY:	DATE:



Pran Electronics Pvt. Ltd.