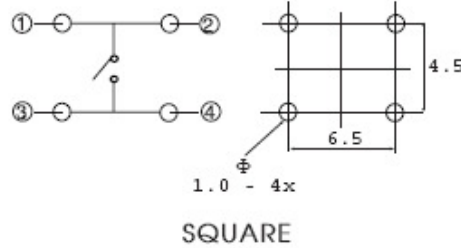
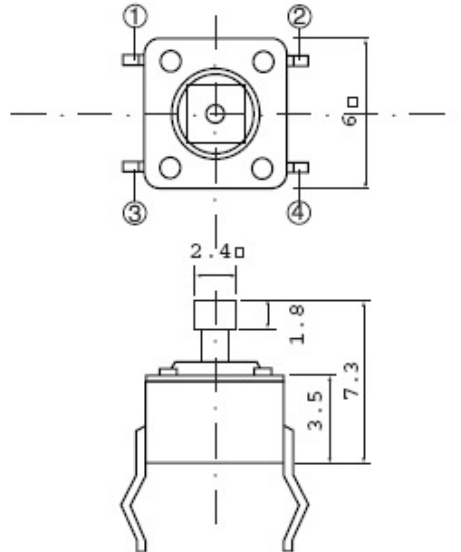
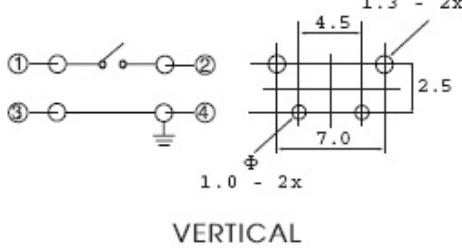
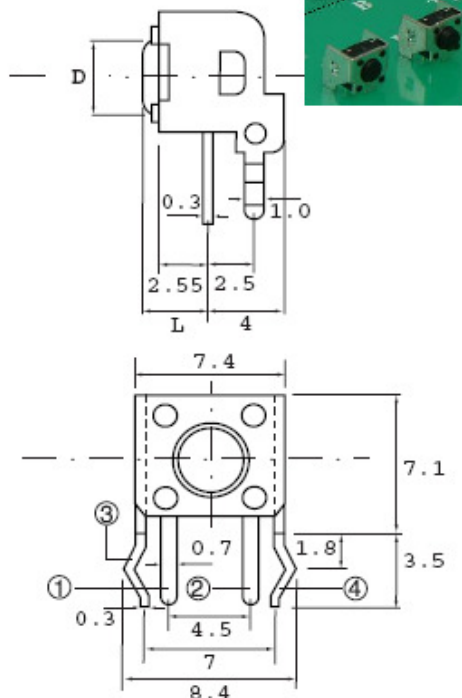
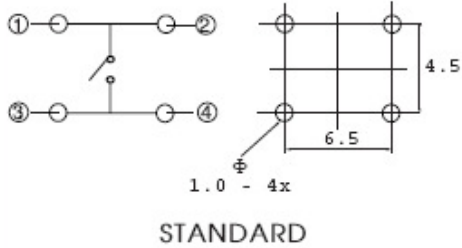
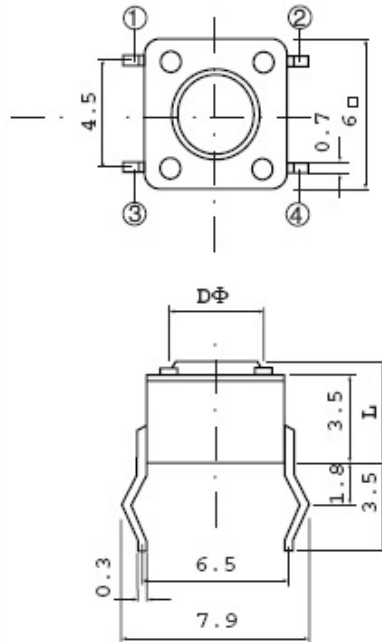




TACT SWITCH: 6 X 6 TYPE 60-2000



OPERATING		SWITCH CODE	SWITCH CODE	SWITCH CODE
FORCE (GRAMS)	LIFE (CYCLES)			
100	100,000	60-2S4L	60-2V4L	60-2S4T
130	100,000	60-2S1L	60-2V1L	60-2S1T
160	100,000	60-2S2L	60-2V2L	60-2S2T
250	100,000	60-2S3L	60-2V3L	60-2S3T

HIGH LIFE UP TO 1,000,000 ALSO AVAILABLE

X KNOB CODE	KNOB L mm		D Φ mm
	STANDARD & EARTHING	VERTICAL	
A	4.3	3.15	3.5
B	5.0	3.85	3.5
C	7.0	5.85	3.3
D	8.0	6.85	3.3
E	9.5	8.35	3.0

X KNOB CODE	KNOB L mm		D Φ mm
	STANDARD & EARTHING	VERTICAL	
F	12.5	11.35	3.0
G	13.5	12.35	3.0
H	17.0	15.85	3.0
T	SQUARE STEM 2.4 x 2.4		
I	8.5	6.85	3.3
J	13.0	11.85	3.0

Operating Temp: -40 to 85 Deg. C
Rev. 01: 15/9/06

RoHS Compliant

SPECIFICATIONS:

CONTACT	: METAL CONTACT
RATING	: 50 mA x 12 V DC
CONTACT RESISTANCE	: 100 m Ω MAX
PROOF VOLTAGE	: 250 V AC FOR 1 MIN
INSULATION RESISTANCE	: 100 M Ω MIN/100 V DC
RESISTANCE TO SOLDERING HEAT	: HAND 270 \pm 10 $^{\circ}$ C - 3 SEC MAX AUTO 255 \pm 5 $^{\circ}$ C - 5 SEC MAX

ISO 9001: 2008



PRODUCT: TACT SWITCH 6 x 6 TYPE: 60-2000	
DIMENSIONS: MM TOLERANCE: \pm 0.2 MM	
CHECKED BY:	DATE:
APPROVED BY:	DATE:



Pran Electronics Pvt. Ltd.
52 G.I.D.C. Makarpura
Vadodara 390 010. INDIA.
Phone: 0265 263 2916, 263 5920.
Fax: 0265 263 5918.
Email: info@pranelectronics.com