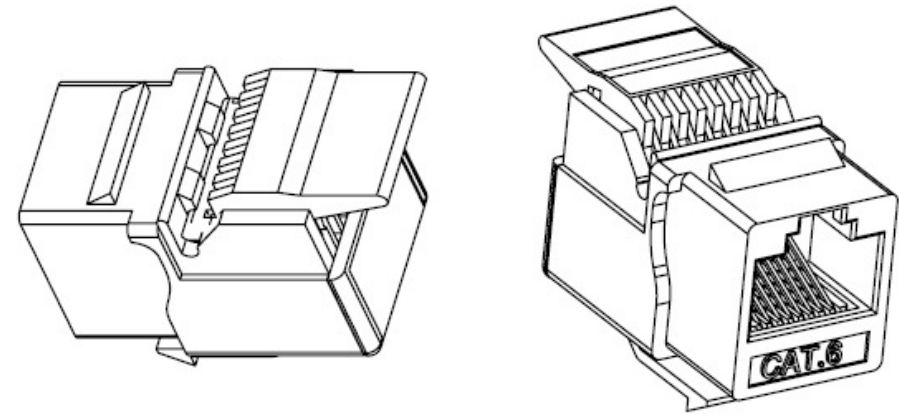
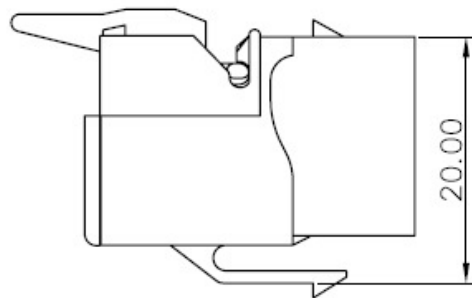
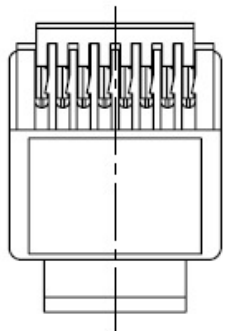


SECTION A-A



**SPECIFICATIONS:**

**ELECTRICAL:**

Voltage: 125 V AC

Current: 1.5 A

Contact resistance: 40 milli Ohms max.

Insulation resistance: 1000 M Ohms min. 500 V DC

Dielectric Strength: 500 V AC 1 minute

**MECHANICAL:**

Housing: PC

Housing Colour: White

Contact Material: Phosphor Bronze 6U" gold plating  
in contact area

Operating life: 750 cycles

**ROHS COMPLAINT**

Part code: JK-C6-8P8C

Description: CAT. 6 Panel Jack  
gold plating in contact area

