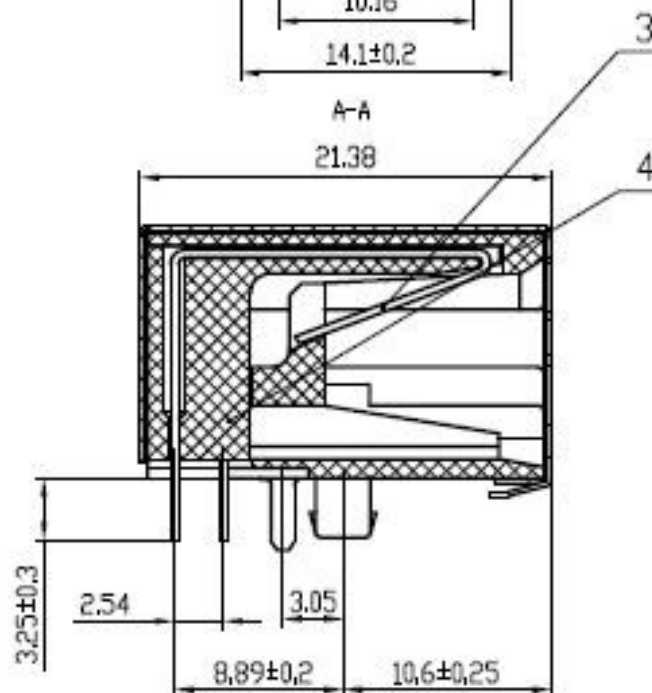
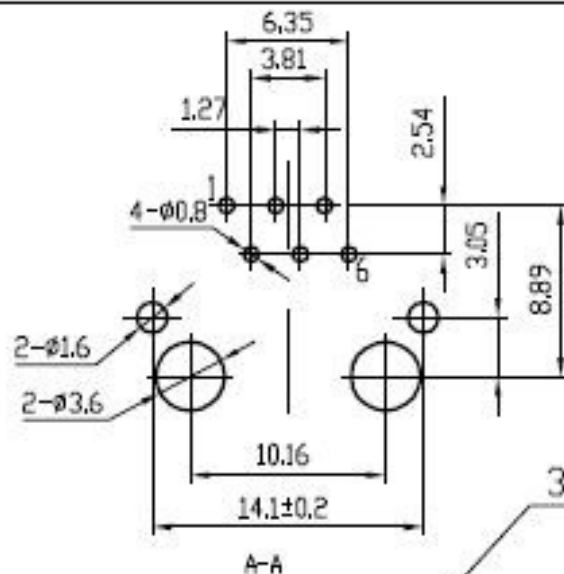


技术条件



SPECIFICATIONS: ELECTRICAL

CONTACT RESISTANCE : 40 milli Ohms max.
INSULATION RESISTANCE : 1000 M Ohms min., 500 VDC
PROOF VOLTAGE : 1000 V AC for 1 minute.

MECHANICAL

HOUSING : PBT - Glass filled UL94V0.
HOUSING COLOUR : Black.
CONTACT MATERIAL : Phosphor Bronze 0.46 dia.
PLATING : Gold Plating 3, 6, 15, 30, or 50U".
OPERATING LIFE : 600 mating cycles minimum.

PART NO:

JP-S1-6PXX S - XX - Gold plating 03, 06, 15, 30, 50

2C, 4C, 6C

JP-S1-6P

| | | | |
|---------------------------------------|---|---|---|
| Part Name: | Material: | Revision No: 00 | Sheet 1 of 1 |
| 1. Housing | PBT UL94V0 | Design by: | Date: 17/3/03 |
| 2. Contact Pins | PhBz Gold Plated | Checked by: | Date: 17/3/03 |
| Main Product: Side Entry Modular Jack | | Approved by: | Date: 17/3/03 |
| Tolerance: ± 0.2 mm | Scale: Not to scale | Drawing No: JP-S1-6PXX-S | |
| Dimensions: mm |  |  | Pran Electronics Pvt. Ltd. 52 G.I.D.C. Makarpura Vadodara 390 010. |