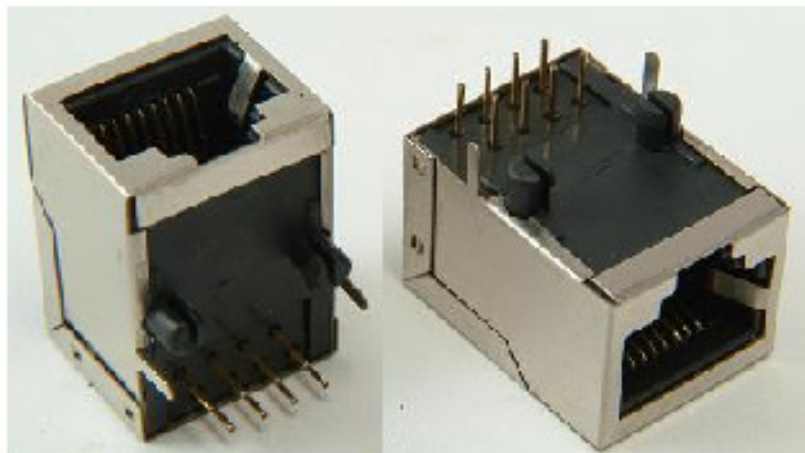
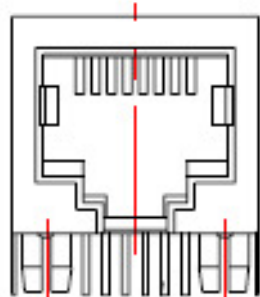


PCB Mounting Layout



SPECIFICATIONS

ELECTRICAL:

Contact Resistance:

40 milli Ohms max.

Insulation Resistance:

1000 MOhms min. 500 VDC

Proof Voltage:

1000 V AC for 1 minute

MECHANICAL:

Housing:

PBT Glass filled UL94V0 Black Colour

Contact Material:

Phosphor Bronze 0.46 dia.

Contact Plating:


Gold Plating 03, 06, 15, 30 or 50U"

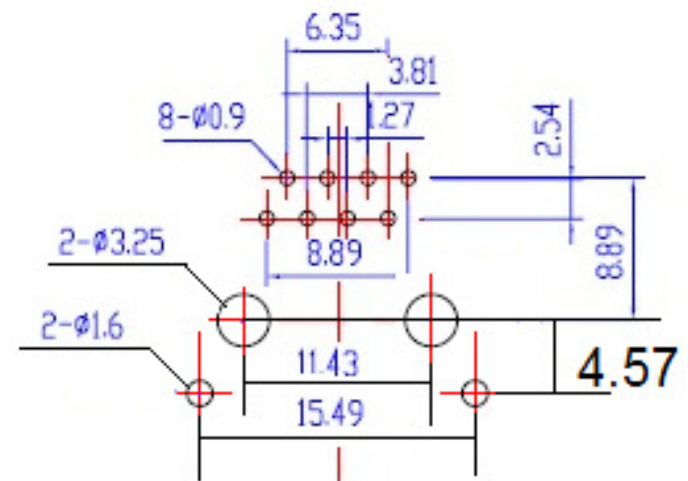
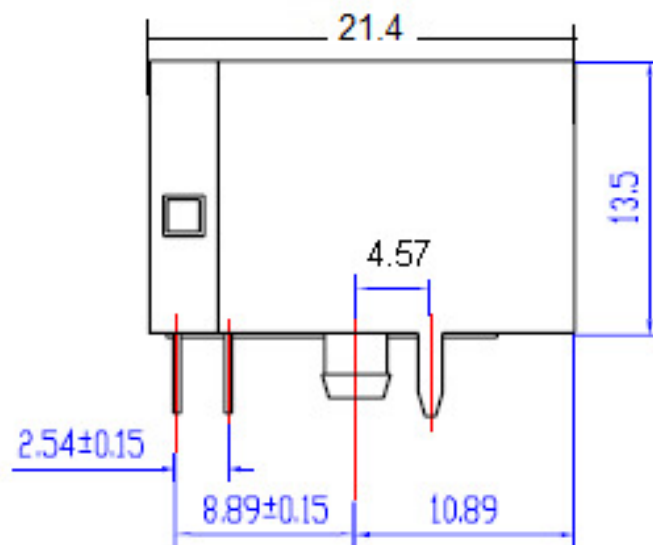
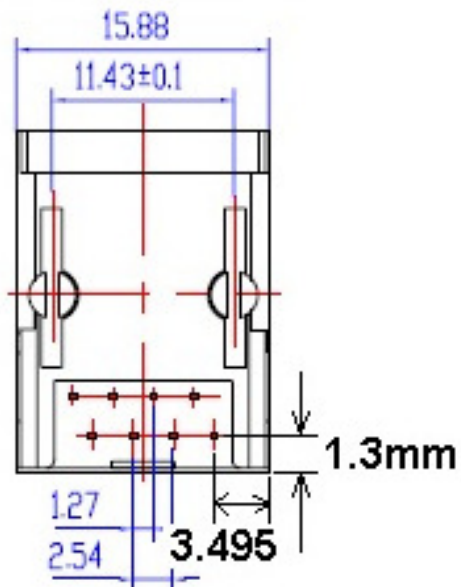
Operating Life:

600 mating cycles min.

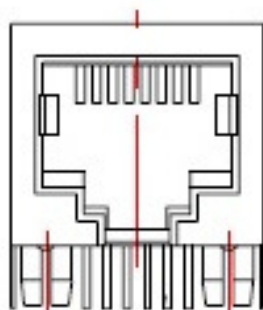
Part No: JP-S1-8P8C-S

RoHS Compliant

Part Name:	Material:	Revision No: 00	Sheet 1 of 1
1. Housing	PBT UL94V0	Design by: PRM	Date: 04/5/04
2. Contact Pins	Ph8z Gold Plated	Checked by: APM	Date: 04/5/04
Main Product: RJ45 Side Entry PCB Mounting		Approved by: APM	Date: 04/5/04
Tolerance: ± 0.2 mm	Scale: Not to scale	Drawing No: JP-S1-8P8C-S	
Dimensions: mm	3rd Angle Projection		
		 PRAN ELECTRONICS PVT. LTD. 52 GIDC MAKARPURA VADODARA 390 010	



PCB Mounting Layout



SPECIFICATIONS

ELECTRICAL:

Contact Resistance:

40 milli Ohms max.

Insulation Resistance:

1000 MOhms min. 500 VDC

Proof Voltage:

1000 V AC for 1 minute

MECHANICAL:

Housing:

PBT Glass filled UL94V0 Black Colour

Contact Material:

Phosphor Bronze 0.46 dia.


Contact Plating:

Gold Plating 03, 06, 15, 30 or 50U"

Operating Life:

600 mating cycles min.

Part No: JP-S1-8P8C-SA

Part Name:	Material:	Revision No: 00	Sheet 1 of 1
1. Housing	PBT UL94V0	Design by: PRM	Date: 04/5/04
2. Contact Pins	PhBz Gold Plated	Checked by: APM	Date: 04/5/04
Main Product: RJ45 Side Entry PCB Mounting		Approved by: APM	Date: 04/5/04
Tolerance: ± 0.2 mm	Scale: Not to scale	Drawing No: JP-S1-8P8C -SA	
Dimensions: mm	3rd Angle Projection	 PRAN ELECTRONICS PVT. LTD. 52 GIDC MAKARPURA VADODARA 390 010	