

**RoHS
Compliant**

**SPECIFICATIONS:
ELECTRICAL**

CONTACT RESISTANCE : 40 milli Ohms max.
 INSULATION RESISTANCE: 1000 M Ohms min. 500 V DC
 PROOF VOLTAGE : 1000 V AC for 1 minute.

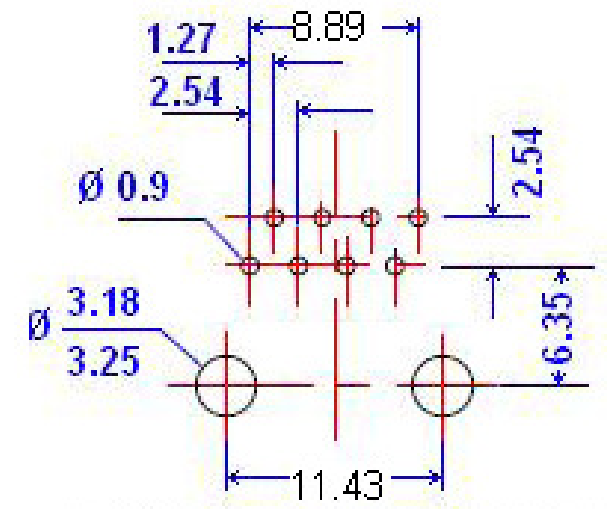
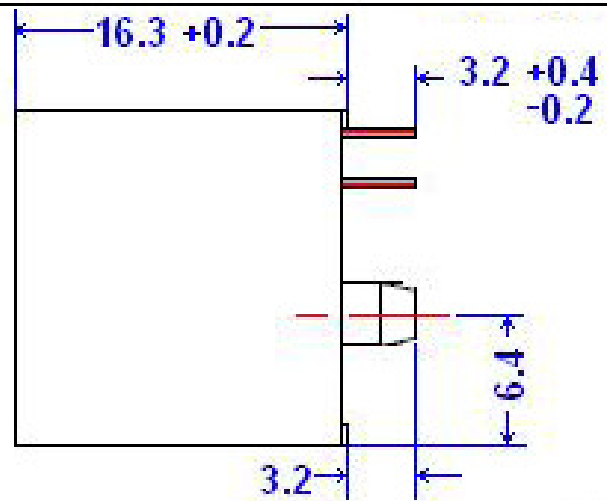
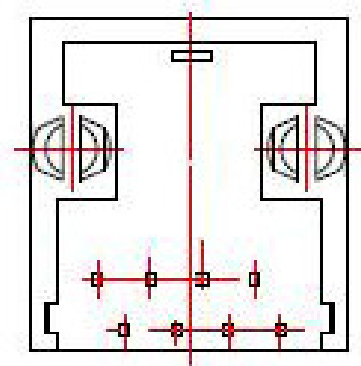
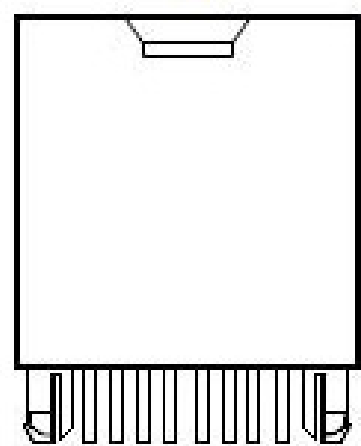
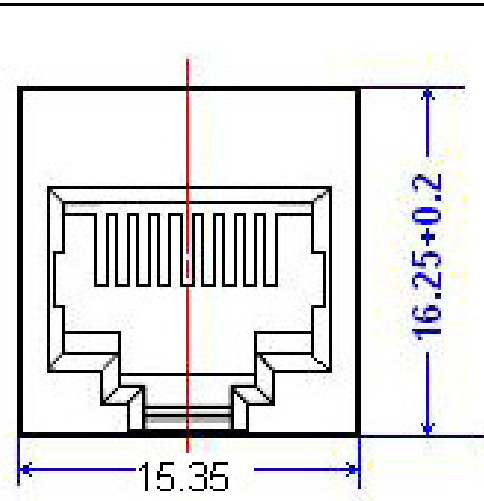
MECHANICAL

HOUSING : PBT - Glass filled UL94V0.
 HOUSING COLOUR : Black.
 CONTACT MATERIAL : Phosphor Bronze 0.46 dia.
 PLATING : Gold Plating 3, 6, 15, 30, or 50µ"
 OPERATING LIFE : 600 mating cycles minimum.


PART NO.

JP-T1-8P8C-03 Gold Plating: 03, 06, 15, 30, or 50µ"

└── No. of contacts 2C, 4C, 6C, 8C



**P.C.B. Recommended Hole Layout
Seen from component side**

Part Name:	Material:	Revision No: 00	Sheet 1 of 1
1. Housing	PBT UL94V0	Design by:	Date: 04/5/03
2. Contact Pins	PhBz Gold Plated	Checked by:	Date: 04/5/03
Main Product: Top Entry Modular Jack 8P		Approved by:	Date: 04/5/03
Tolerance: ± 0.2 mm	Scale: Not to scale	Drawing No: JP-T1-8P	
Dimensions: mm	3rd Angle Projection	 Pran Electronics Pvt. Ltd. 52 G.I.D.C. Makarpura Vadodara 390 010.	