



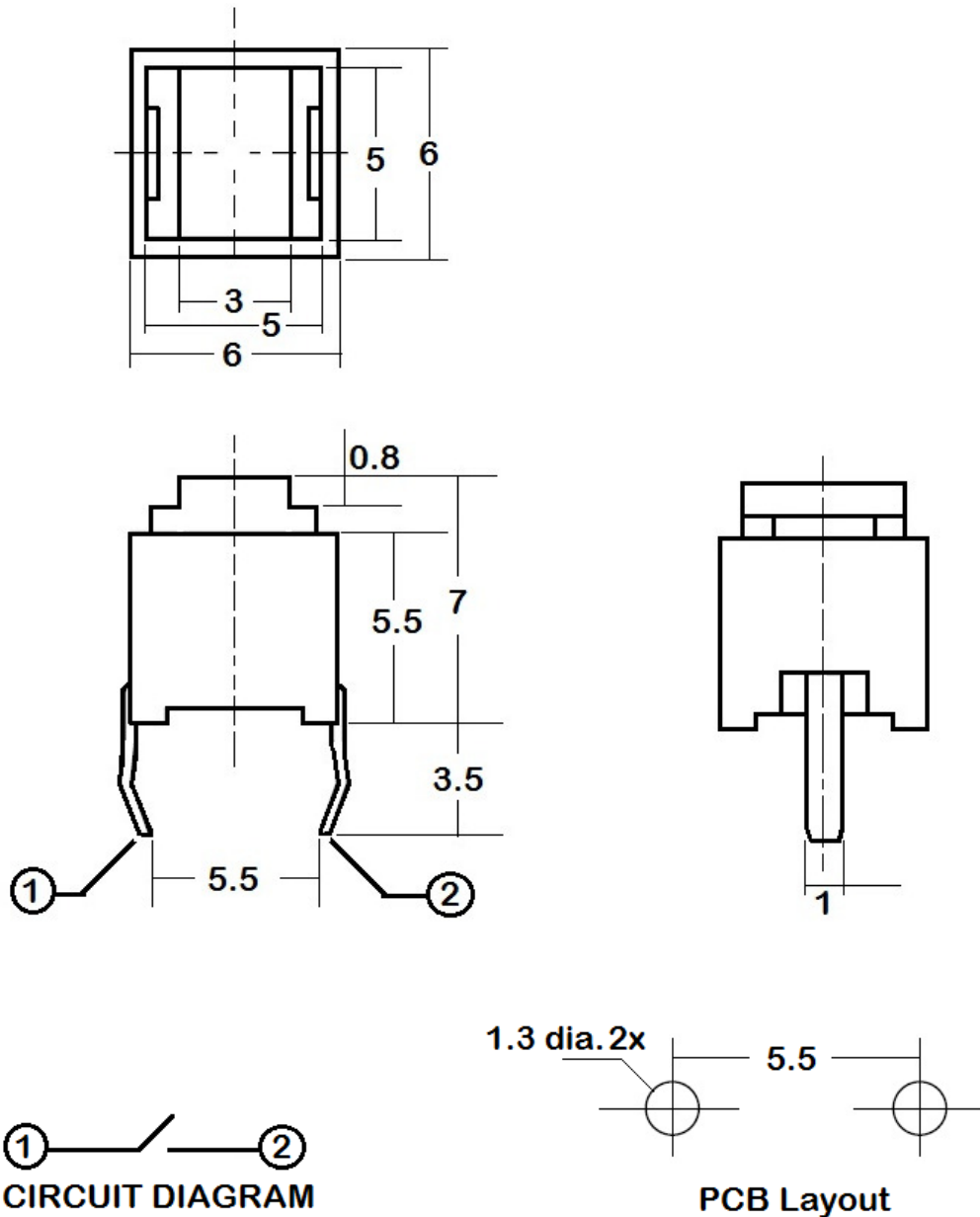
# PRAN ELECTRONICS PVT. LTD.

52, GIDC, Makarpura, Vadodara - 390 010. India.  
Phone : +91 - 265 - 263 2916, 263 5920 Fax : + 91 - 265 - 263 5918  
E-mail : info@pranelectronics.com Web : www.pranelectronics.com

**AN ISO 9001:2000 COMPANY**

TACT SWITCH: 60-2C1A  
Tact switch Soft feel 6x6x7mm

Rev.00 Date: 08/09/2012



General tolerance: +/- 0.3mm all dimensions in mm



# PRAN ELECTRONICS PVT. LTD.

52, GIDC, Makarpura, Vadodara - 390 010. India.  
Phone : +91 - 265 - 263 2916, 263 5920 Fax : + 91 - 265 - 263 5918  
E-mail : info@pranelectronics.com Web : www.pranelectronics.com

**AN ISO 9001:2000 COMPANY**

TACT SWITCH: 60-2C1A  
Tact switch Soft Feel 6x6x7mm

Rev.00 Date: 08/09/2012

## **Specifications:**

### Electrical:

Rating: 12 V DC x 5 mA max.  
Contact resistance: 1000 ohms max. initial  
Insulation resistance: 100 M ohms min. at 100 V DC  
Proof Voltage: 250V AC for 1 minute No breakdown

### Mechanical:

Operating Force: 130 +/- 50 gf  
Operating Life Electrical: 100,000 cycles  
Operating Life Mechanical: 100,000 cycles  
Operating Travel: 1 +/- 0.3mm

### Environmental:

Operating Temperature: - 25 to 70 Deg. C  
Storage Temperature: - 40 to 85 Deg. C  
Soldering Temperature: 250 Deg. C for 5 seconds max.

## **Material Specifications:**

Housing	PBT
Plunger	Acetal
Terminals	Brass Silver Plated
Contact	Silicone Rubber Carbon Contact

