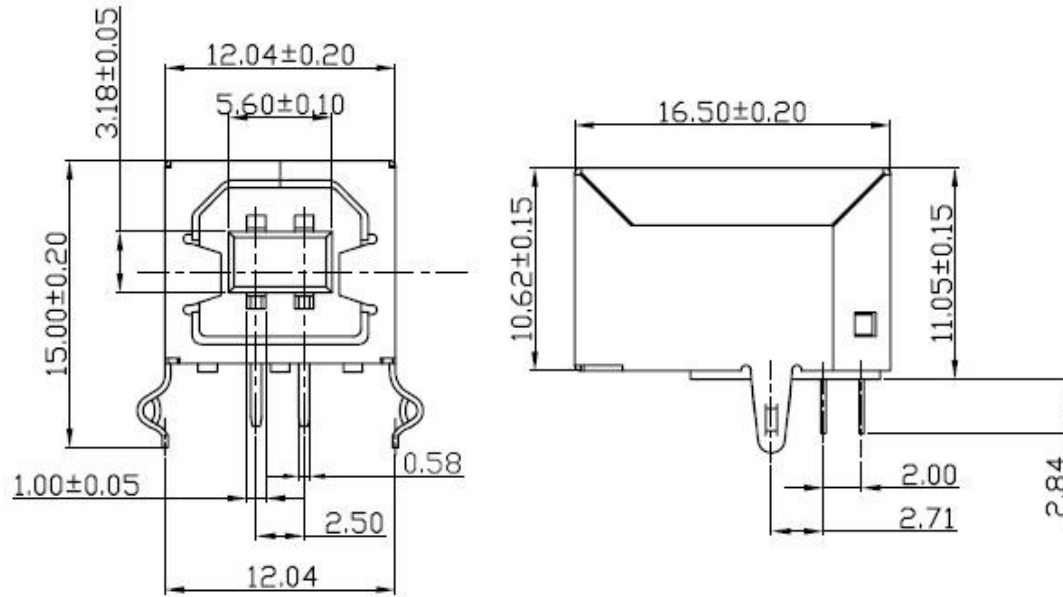
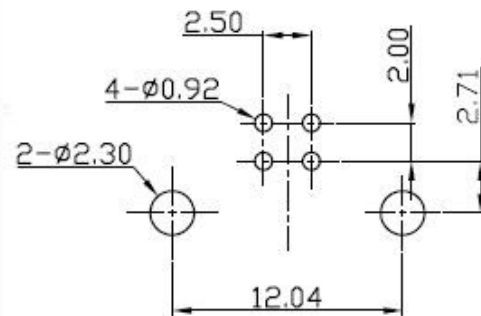


RoHS  
Compliant

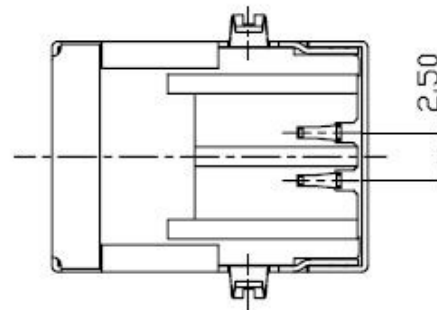


#### Specification

- 1.Voltage Current Rating:1AMP.30V AC
- 2.Insulation Resistance:1000 **MOhms Min.**
- 3.Contact Resistance:30 **mOhms Max.**
- 4.Dielectric Withstanding Voltage:500V AC
- 5.Temperature Range:-20°C to +60°C  
Remark:48Hours Guarantee by -30°c storage temperature
- 6.Mechanical Characteristics:  
Insertion Force:35 Newtons maximum  
Extraction Force:10 Newtons minimum



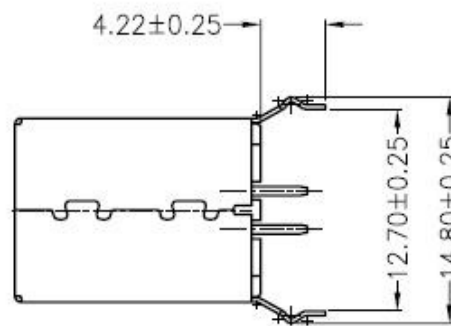
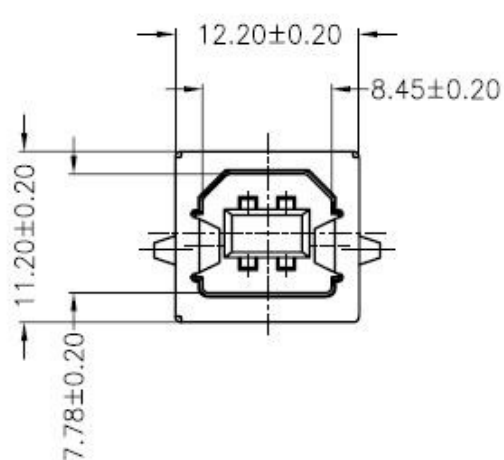
RECOMMENDED P.C.B HOLE LAYOUT  
TOP VIEW(TOLERANCE:±0.10)



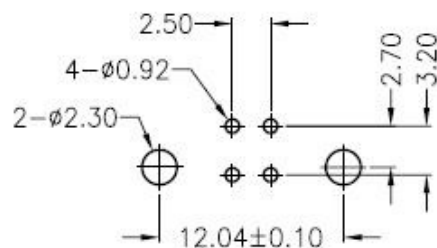
Part No.: USB B  
Description: USB B Connector Side Entry

PRAN ELECTRONICS PVT. LTD  
VADODARA, 390010.  
INDIA.

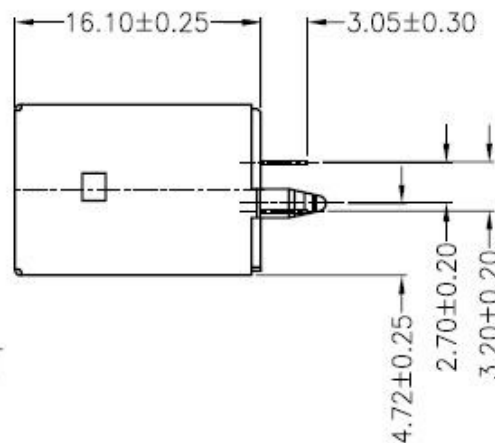
Rev. 00: 5/3/2007



**RoHS  
Compliant**

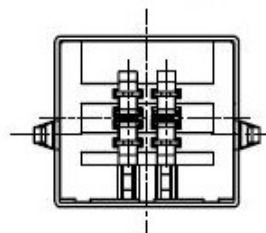
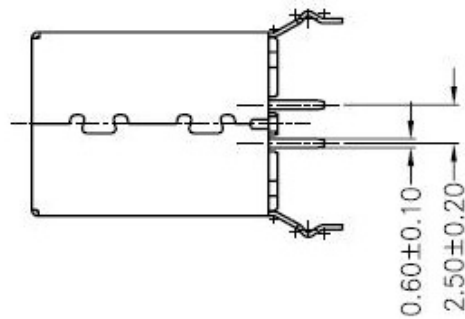


RECOMMENDED P.C.B HOLE LAYOUT  
TOP VIEW(TOLERANCE:±0.10)



**Specification**

- 1.Voltage Current Rating:1AMP,30V AC
- 2.Insulation Resistance:1000 **MOhms Min.**
- 3.Contact Resistance:30 **mOhms Max.**
- 4.Dielectric Withstanding Voltage:500V AC
- 5.Temperature Range:-20°C to +60°C  
Remark:48Hours Guarantee by -30°c storage temperature
- 6.Mechanical Characteristics:  
Insertion Force:35 Newtons maximum  
Extraction Force:10 Newtons minimum



**Part No.: USB B T**

**Description: USB B Connector Top Entry**

**PRAN ELECTRONICS PVT. LTD  
VADODARA, 390010.  
INDIA.**

**Rev. 00: 13/4/2010**