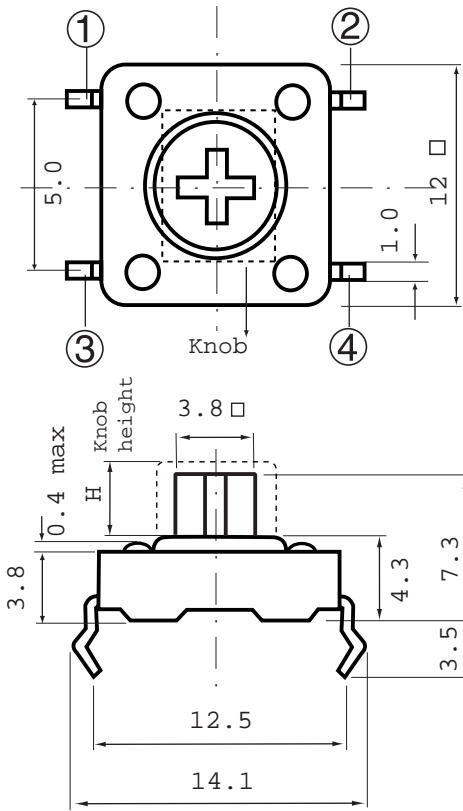


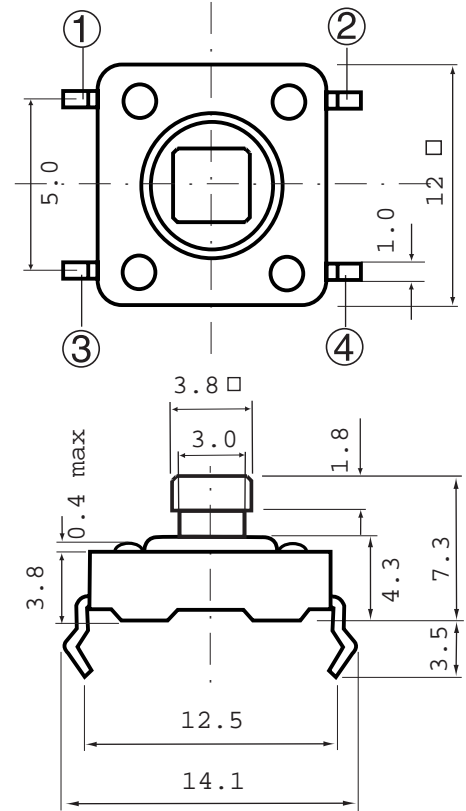
TACT SWITCH: 12 X 12 TYPE 60-3000 WITH KNOBS



CROSS STEM K

KNOBS	
SIZE x H	CODE
8 x 6 x 4	K40X0
7Φ x 4	K41X0
10 x 10 x 4	K42X0
12.5 x 12.5 x 4	K43X0

COLOUR CODE



SQUARE STEM T

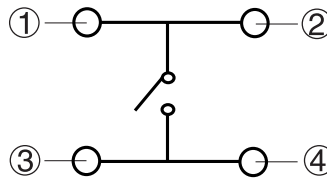
OPERATING		SWITCH CODE			
FORCE (GRAMS)	LIFE (CYCLES)	CROSS STEM K		SQUARE STEM T	
100	100,000	60-3S4K		60-3S4T	
130	100,000	60-3S1K		60-3S1T	
180	1,000,000	60-3S5K		60-3S5T	
		STANDARD		STANDARD	
250	100,000	60-3S3K		60-3S3T	

KNOB COLOUR	BLACK	WHITE	GREY	YELLOW	GREEN	BLUE	ORANGE	RED
CODE	2	3	4	5	6	7	8	9

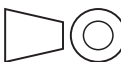
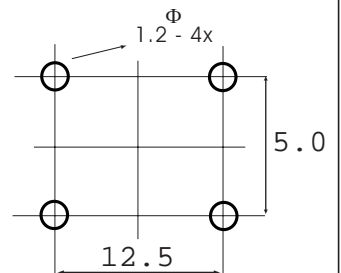
SPECIFICATIONS:

CONTACT	: METAL CONTACT
RATING	: 50 mA x 12 V DC
CONTACT RESISTANCE	: 100 mΩ MAX
PROOF VOLTAGE	: 250 V AC FOR 1 MIN
INSULATION RESISTANCE	: 100 MΩ MIN/100 V DC
RESISTANCE TO SOLDERING HEAT	: HAND 270 ± 10°C - 3 SEC MAX AUTO 255 ± 5°C - 5 SEC MAX

CIRCUIT DIAGRAM



PCB MOUNTING HOLE LAYOUT



PRODUCT: TACT SWITCH 12 x 12 TYPE: 60-3000 WITH KNOBS

DIMENSIONS: MM TOLERANCE: ± 0.2 MM

CHECKED BY:

DATE:

APPROVED BY:

DATE:

Pran Electronics Pvt. Ltd.

52 G.I.D.C. Makarpura

Vadodara 390 010. INDIA.

Phone: 0265 263 2916, 263 5920.

Fax: 0265 263 5918.

Email: info@pranelectronics.com