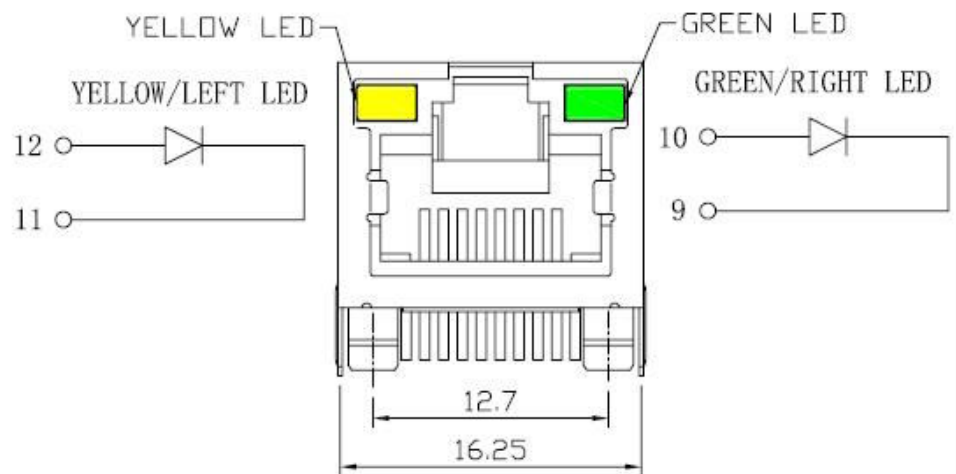


PC Board Layout (TOP VIEW)



Part No: JP-LED-8P8C-~~XXS~~

Left Led Right Led

Led colours: Green=G, Red=R, Yellow=Y

SPECIFICATIONS


ELECTRICAL:

Contant Resistance: 40 milli Ohms max.
 Insulation Resistance: 1000 MΩ min. 500
 Proof Voltage: 1000 V AC for 1 minute

MECHANICAL:

Housing: PBT Glass filled UL94V0
 Contact Material: Phosphor Bronze 0.46 dia.
 Contact Plating: Gold Plating 03, 06, 15, 30 or 50U"
 Operating Life: 600 mating cycles min.

RoHS
Compliant

Part Name:	Material:	Revision No: 00	Sheet 1 of 1
1. Housing	PBT UL94V0	Design by: PRM	Date: 04/5/04
2. Contact Pins	PhBz Gold Plated	Checked by: APM	Date: 04/5/04
Main Product: RJ45 1Port with LED MOD.JACK		Approved by: APM	Date: 04/5/04
Tolerance: ± 0.2 mm	Scale: Not to scale	Drawing No: RJ45 1Port with LED	
Dimensions: mm	3rd Angle Projection	 PRAN ELECTRONICS PVT. LTD. 52 GIDC MAKARPURA VADODARA 390 010	