

PART NUMBER: 60-1010-13-WP
 Description: 10x10x13mm WATERPROOF TACT SWITCH

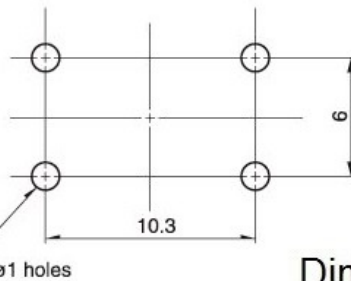
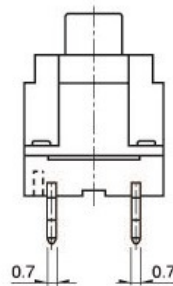
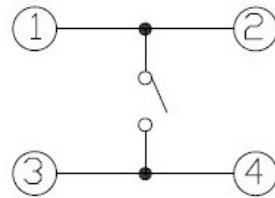
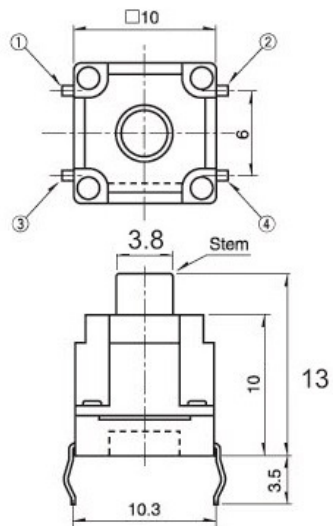


ROHS COMPLIANT

WATERPROOF



SPECIFICATIONS



Items		Standard
Operating temperature range		-40°C to +90°C
Electrical performance	Rating	50mA. 12V DC
	Insulation resistance	100MΩ min. 100V DC
	Dielectric strength	250V AC for 1 min.
	Contact resistance	100mΩ max.
Durability	Lifetime	100,000 Cycles
Mechanical performance	Operating force	160gf 250gf
	Travel	0.30 ± 0.1mm

Temperature of water	60°C
Depth of water	10cm
Immersion duration	240h

REV.00 DATE 08/04/2020

Dimensional tolerance +/- 0.2mm



PRAN ELECTRONICS PVT. LTD.
 INDIA.