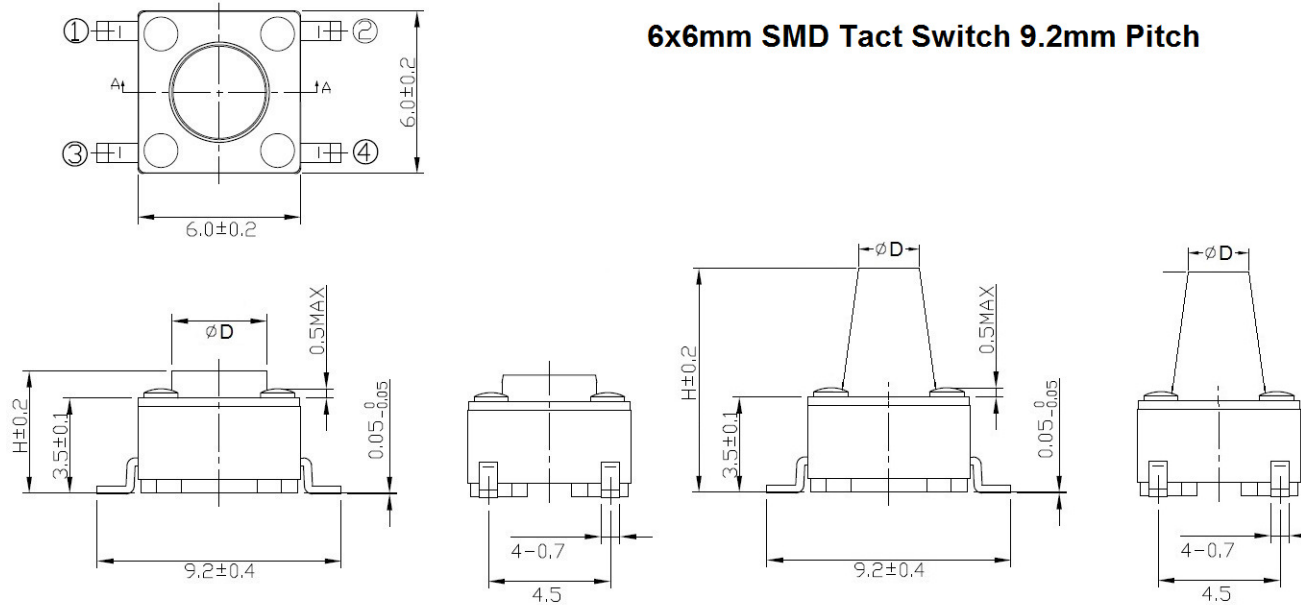
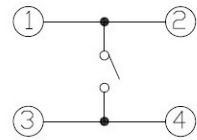


ROHS COMPLIANT

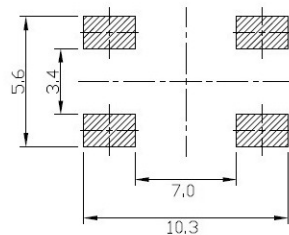
6x6mm SMD Tact Switch 9.2mm Pitch



For longer height stems



CIRCUIT DIAGRAM



P.C.B. LAND DIMENSION

HEIGHT H = FROM BASE OF PCB TO TOP

Sr.No.	Part Code	Height	Diameter
		H mm	D mm
1	60-2M2-043	4.3	3.5
2	60-2M2-050	5	3.4
3	60-2M2-060	6	3.3
4	60-2M2-065	6.5	3
5	60-2M2-070	7	3
6	60-2M2-073	7.3	3
7	60-2M2-075	7.5	3
8	60-2M2-080	8	3
9	60-2M2-085	8.5	3
10	60-2M2-090	9	3
11	60-2M2-095	9.5	3
12	60-2M2-097	9.7	3
13	60-2M2-100	10	3
14	60-2M2-110	11	3
15	60-2M2-120	12	3
16	60-2M2-125	12.5	3
17	60-2M2-130	13	3
18	60-2M2-135	13.5	3
19	60-2M2-150	15	3
20	60-2M2-160	16	3
21	60-2M2-170	17	3
22	60-2M2-180	18	3
23	60-2M2-T73	7.3	2.4 Square

Specifications:

Contact Rating: 12VDC x 50mA
 Contact Resistance: 100 mOhms max.
 Proof Voltact: 250 VAC for 1 minute
 Insulation Resistance: 100 MOhms minimum/100VDC
 Operating Force: 160 +/- 50gf
 Mechanical & Electrical Operating life: 100,000 cycles
 Operating Travel: 0.25 +/- 0.10mm
 Operating Temp: -40 to 105 Deg. C
 Storage Temp: -30 to 105 Dec. C
 Soldering heat resistance 260 Dec C 5 sec.
 reflow soldering

Raw Material:
 Case/body and stem: PPA high temp.
 Terminals: Brass silver plated
 Cover: Stainless steel
 Contact: SUS Ag Clad

Packing: SMD reel packing

Part Code: 60-2M2-XXX
 Description: 6x6mm SMD tact switch 9.2mm Pitch
 Replace XXX with Overall Height H
 H = 4.3mm = 043, H = 5mm = 050 H = 17mm = 170

Dimensional tolerance +/- 0.2mm