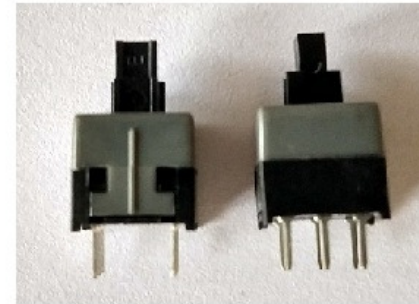
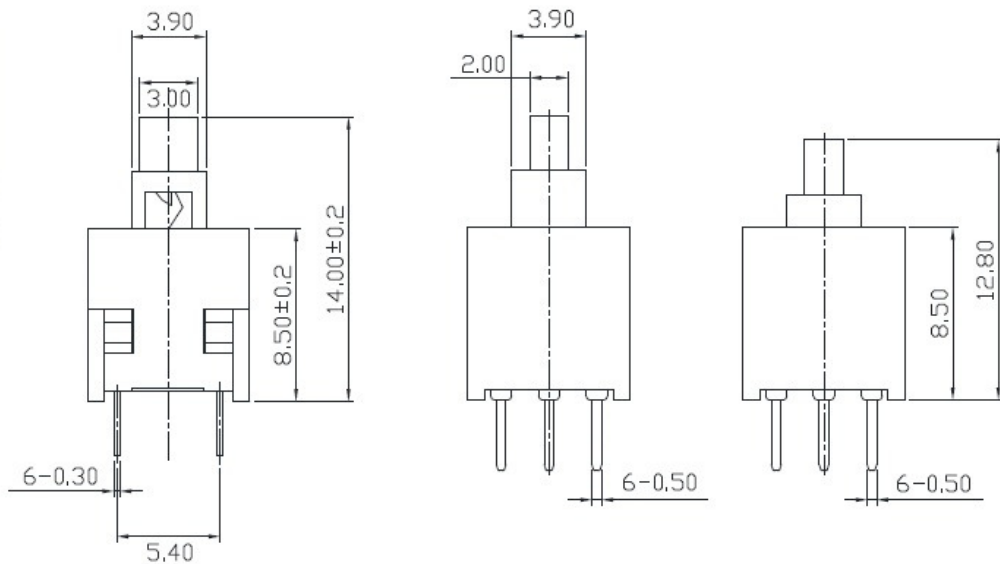


PART NUMBER: PS-2285-NL
 DESCRIPTION: 8.5x8.5x14mm height Non lock Push switch

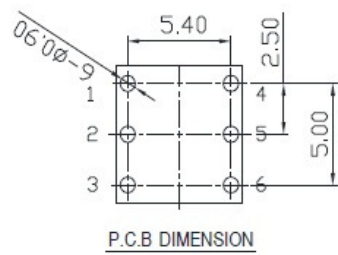
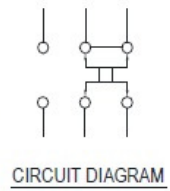
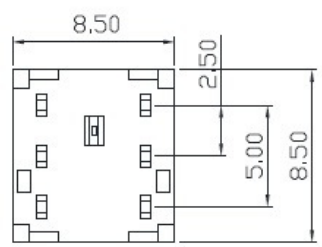


ROHS COMPLIANT



SPECIFICATIONS

Items		Standard
Operating temperature range		-30°C to +85°C
Electrical performance	Rating	12V DC 50mA
	Insulation resistance	100MΩ min. 500V DC
	Dielectric strength	250V AC for 1 min.
	Contact resistance	50mΩ max.
Durability	Lifetime	10,000 Cycles min.
Operating force		250 ± 50 gf



REV 00 DATE 25/08/2020

Dimensional tolerance +/- 0.2mm


**PRAN ELECTRONICS PVT. LTD.
INDIA.**