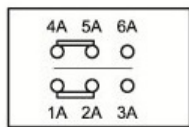
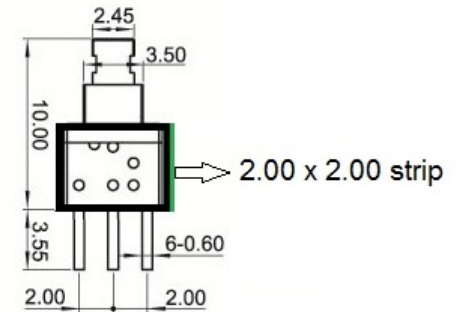
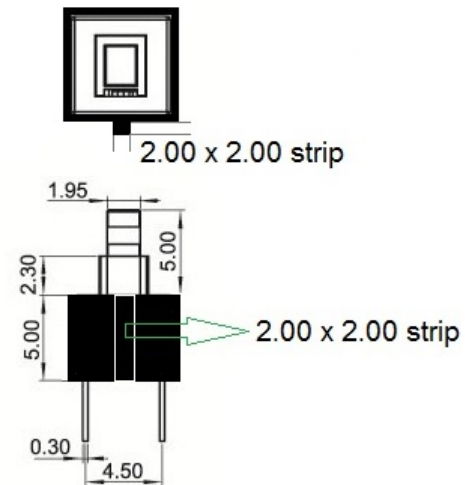
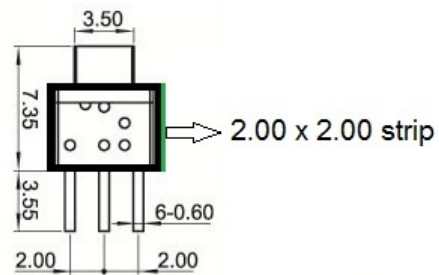
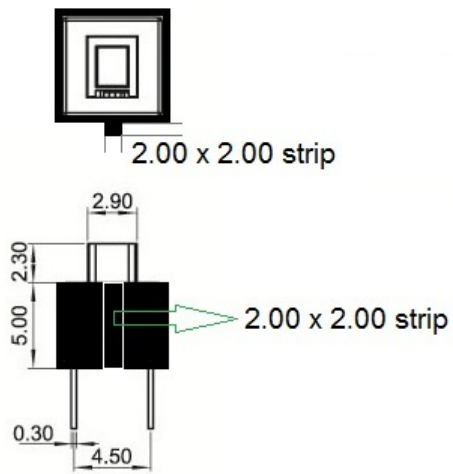


5.8 x 5.8 push switch Cover with Orientation strip/line



Circuit Diagram

