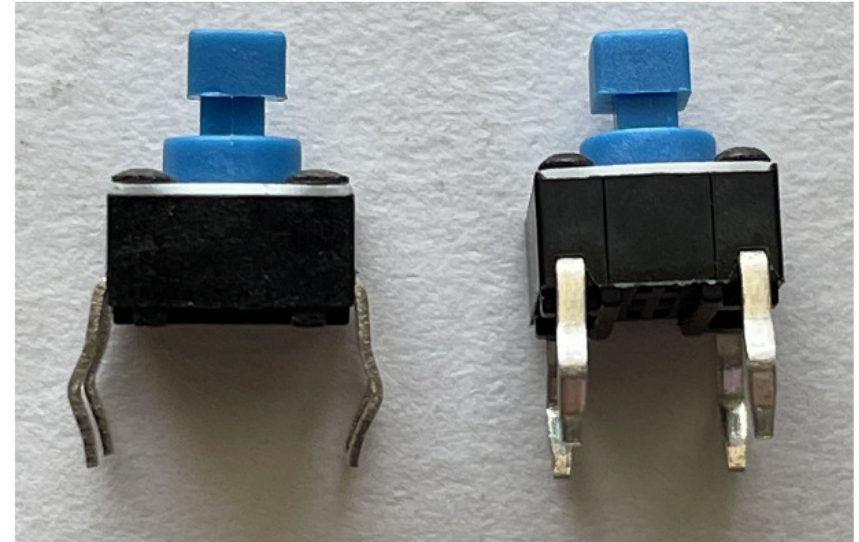
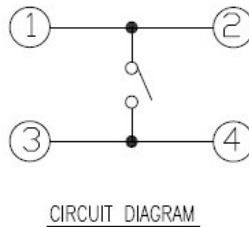
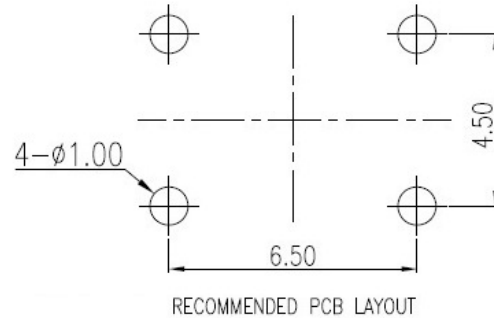
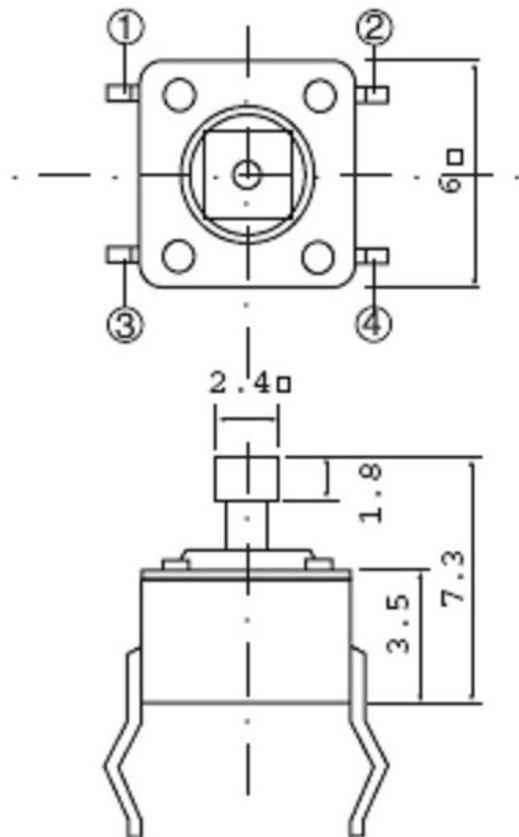


6x6mm Standard Tact switch  
with 7.3mm height T Stem

Part Code: 60-2S2-T73



SPECIFICATIONS:

Rating: 50mA x 12V DC

Contact resistance: 100 mOhms max.

Proof Voltage: 250V AC for 1 minute

Insulation Resistance: 100 MOhms minimum/100VDC

Operating Life: 100,000 cycles PhBz contact

Operating Force: 160gf, option 250gf

Operating Temperature: -40 to 85 Deg. C

Soldering Temperature: 270 +/- 10 Deg. for 3 sec.