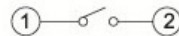
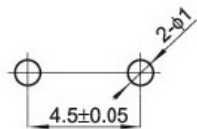
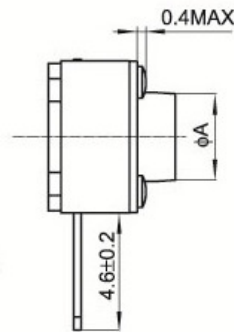
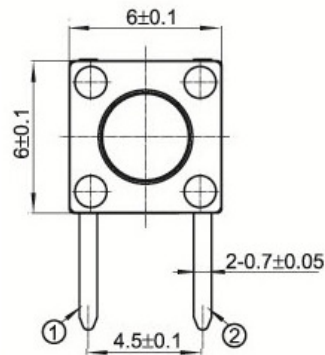
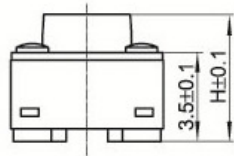


6x6 Right Angle Switch with FLAT COVER 2 PIN switch



RECOMMENDED PCB LAYOUT

CIRCUIT DIAGRAM

SPECIFICATIONS:

Rating: 50mA x 12V DC

Contact resistance: 100 mOhms max.

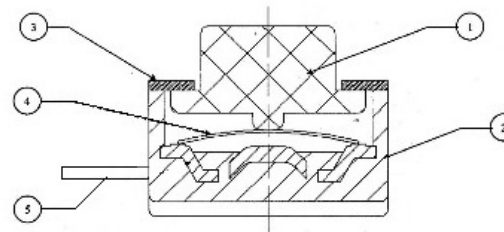
Proof Voltage: 250V AC for 1 minute

Insulation Resistance: 100 MOhms minimum/100VDC

Operating Life: 100,000 cycles PhBz contact

Operating Force: 160 +/- 50gf

RAW MATERIAL



- 1. Stem: PPA high temp. plastic
- 2. Case: PPA high temp. plastic
- 3. Cover: PET Film
- 4. Contact: PhBz Silver Clad
- 5. Terminals: Brass Silver plated

Part Code	H mm
60-2V2-043-P	4.3
60-2V2-050-P	5.0
60-2V2-060-P	6.0
60-2V2-070-P	7.0
60-2V2-075-P	7.5
60-2V2-080-P	8.0
60-2V2-085-P	8.5
60-2V2-095-P	9.5
60-2V2-100-P	10.0
60-2V2-110-P	11.0
60-2V2-125-P	12.5
60-2V2-130-P	13.0
60-2V2-135-P	13.5
60-2V2-170-P	17.0

Dimensional tolerance +/- 0.2mm

ROHS COMPLIANT

Rev.00 date 19/02/2018

P PRAN ELECTRONICS PVT. LTD.
INDIA.