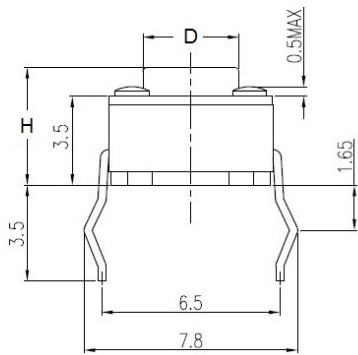
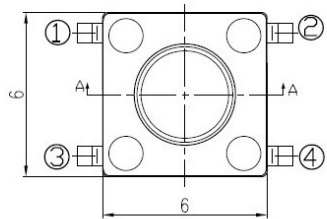
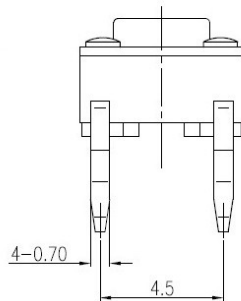


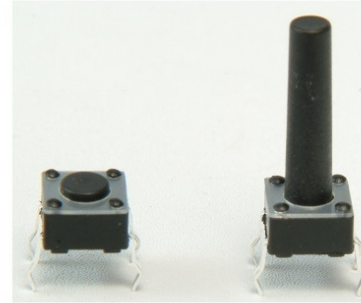
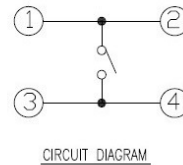
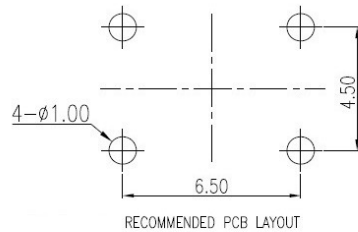
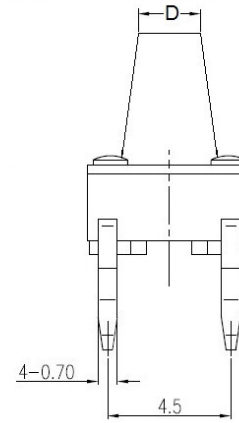
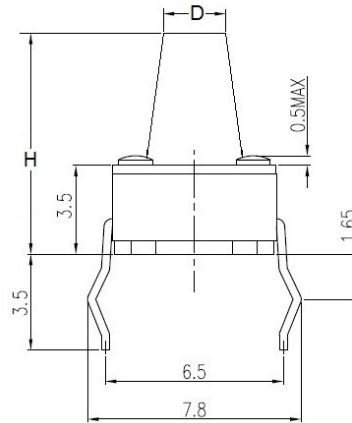
## 6x6mm STANDARD TACT SWITCH



LOWER HEIGHTS 4.3 TO 7MM



LONGER HEIGHTS 7.5 TO 18MM



### SPECIFICATIONS:

ROHS COMPLIANT

Rating: 50mA x 12V DC

Contact resistance: 100 mOhms max.

Proof Voltage: 250V AC for 1 minute

Insulation Resistance: 100 MOhms minimum/100VDC

Operating Travel: 0.25 +/- 0.10mm

Operating Life: 100,000 cycles PhBz contact

Operating Force: 160 +/- 50gf option 250 +/- 50gf

Operating Temperature: -40 to 85 Deg. C

Soldering Temperature: 270 +/- 10 Deg. for 3 sec.

Part Code	Height H mm	Diameter D mm	Old Part Codes
60-2S2-043	4.3	3.5	60-2S1A/60-2S2A
60-2S2-050	5	3.4	60-2S1B/60-2S2B
60-2S2-060	6	3.3	
60-2S2-065	6.5	3.3	
60-2S2-070	7	3.3	60-2S1C/60-2S2C
60-2S2-073	7.3	3.3	
60-2S2-075	7.5	3.3	
60-2S2-080	8	3.3	60-2S1D/60-2S2D
60-2S2-085	8.5	3	60-2S1I/60-2S2I
60-2S2-090	9	3	
60-2S2-095	9.5	3	60-2S1E/60-2S2E
60-2S2-097	9.7	3	
60-2S2-100	10	3	
60-2S2-110	11	3	60-2S1K/60-2S2K
60-2S2-120	12	3	
60-2S2-125	12.5	3	60-2S1F/60-2S2F
60-2S2-130	13	3	60-2S1J/60-2S2J
60-2S2-135	13.5	3	60-2S1G/60-2S2G
60-2S2-150	15	3	
60-2S2-160	16	3	
60-2S2-170	17	3	60-2S1H/60-2S2H
60-2S2-180	18	3	
60-2S2-T73	7.3	2.4 Square	

HEIGHT H = FROM BASE OF PCB TO TOP

REV. 1 date 15/3/2025

Dimensional tolerance +/- 0.2mm

**P** PRAN ELECTRONICS PVT. LTD.  
INDIA.