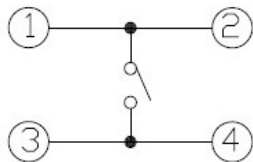
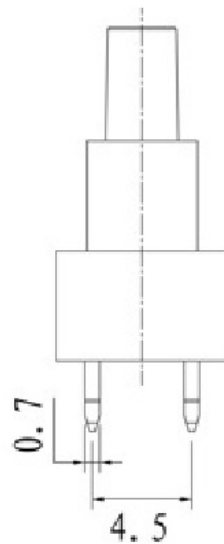
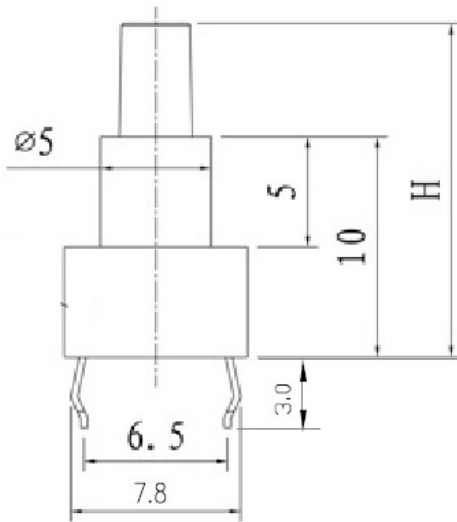
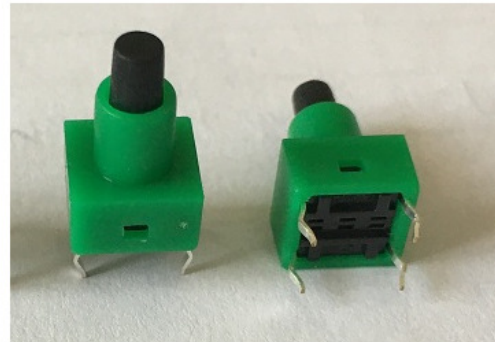
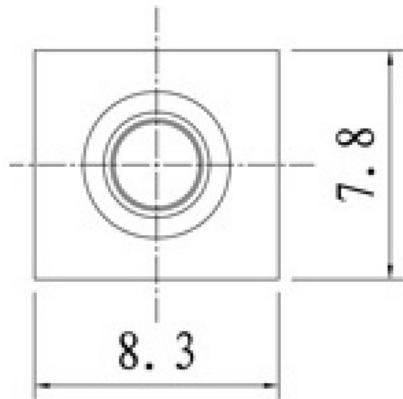
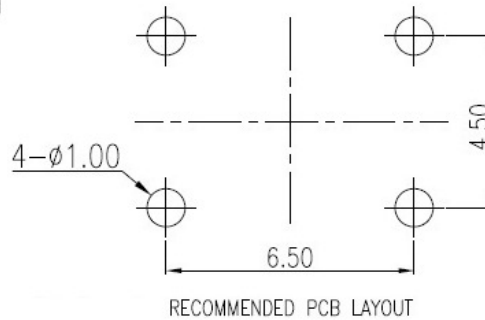


# 6x6mm Standard Tact Switch with Cover

ROHS COMPLIANT



CIRCUIT DIAGRAM



RECOMMENDED PCB LAYOUT

## SPECIFICATIONS:

Rating: 50mA x 12V DC

Contact resistance: 100 mOhms max.

Proof Voltage: 250V AC for 1 minute

Insulation Resistance: 100 MOhms minimum/100VDC

Operating Life: 100,000 cycles PhBz contact

Operating Force: 160gf, option 250gf

Operating Temperature: -40 to 85 Deg. C

Soldering Temperature: 270 +/- 10 Deg. for 3 sec.

Part Code	H Height	D Dia.
60-2S2-125-GC	12.5	3.0
60-2S2-130-GC	13.0	3.0
60-2S2-135-GC	13.5	3.0
60-2S2-150-GC	15.0	3.0
60-2S2-170-GC	17.0	3.0
60-2S2-180-GC	18.0	3.0