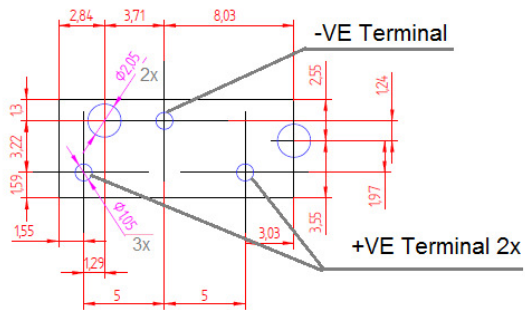
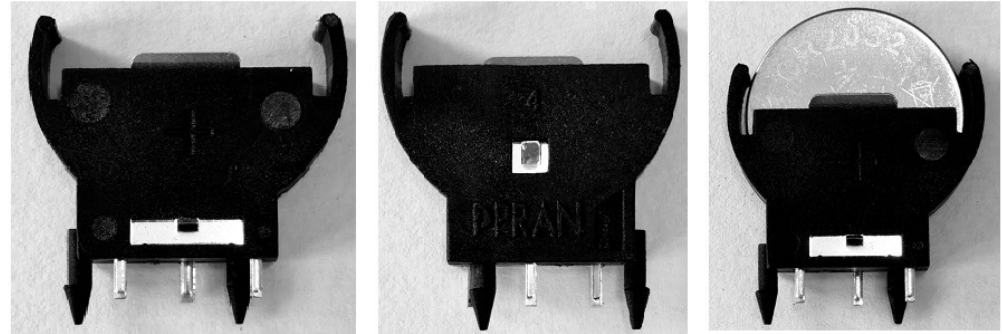
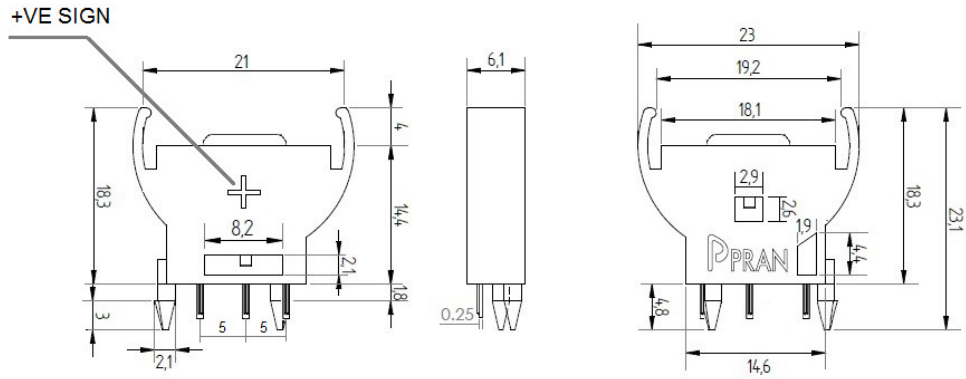


Part Code: SB-01

Description: Coin Cell holder 180 Degree for CR2032 battery

ROHS COMPLIANT



PCB Mounting hole dimensions from component side

Specification

Rating	3VDC
Insulation Resistance	1000MΩMin.at 500VDC
Dielectric Strength	500V AC.for 60s.1mA
Mechanical life	100 operations
Operating Temperature	-25°C ~ +70°C
Storage Temperature	-40°C ~ +85°C
Solder Ability	After flux 235±5°C for 5 ±0.5s,95%coverage
Resistance to soldering heat	260±5°C for 5± 1seconds