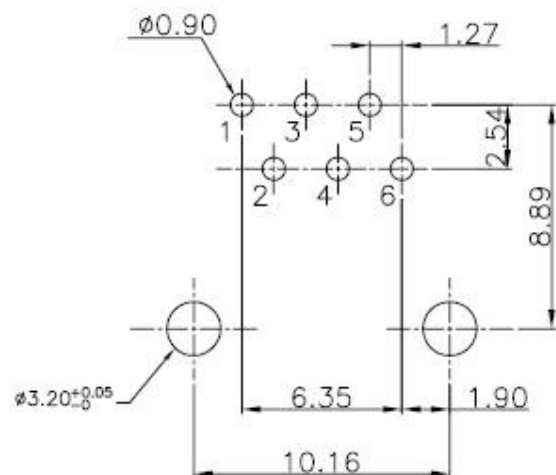
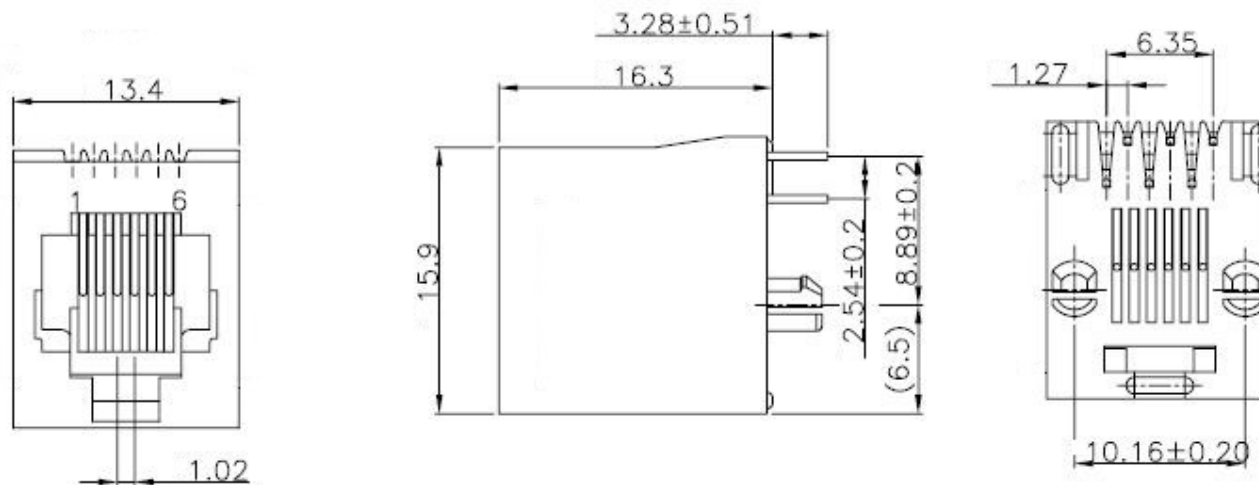


**RoHS  
Compliant**



PC Board Layout  
Component Side Shown  
Dimension Tolerance:±0.05

NOTES:

ELECTRICAL:

1. VOLTAGE RATING: 125 VAC RMS MIN.
2. CURRENT RATING: 1.5 AMP MIN.
3. CONTACT RESISTANCE: 30 MILLIOHMS MAX.
4. INSULATION RESISTANCE: 1000 MEGOHMS MIN @ 500 VDC.
5. DIELECTRIC STRENGTH: 1000 VAC RMS 60Hz, 1MIN.

MECHANICAL:

1. HOUSING MATERIAL: GLASS FILLED POLYESTER UL94V-0.
2. CONTACT MATERIAL: PHOSPHOR BRONZE  $\phi$ 0.46mm.
3. PLATING: GOLD PLATING OVER NICKEL.
4. OPERATING LIFE: 750 CYCLES MIN.
5. PCB RETENTION PRE-SOLDER: 1 LB MIN.
6. PCB RETENTION POST-SOLDER: 10 LBS MIN.

ENVIRONMENTAL:

1. STORAGE: -40°C TO +85°C.
2. OPERATION: -40°C TO +85°C.

MATES WITH MODULAR PLUG CONFORMING TO FCC PART 68, SUBPART F.

**Part code: JP-T1-6PXX**  
**Replace XX with 2C, 4C or 6C**

**PRAN ELECTRONICS PVT. LTD.**  
**INDIA**

**REV: 00 10/01/2008**