





# PRAN ELECTRONICS PVT. LTD.

52, GIDC, Makarpura, Vadodara - 390 010. India.

Phone : +91 - 265 - 2635918 / 263 5920 / 9727158028

E- mail : info@pranelectronics.com Web : www.pranelectronics.com

**AN ISO 9001 : 2015 COMPANY**

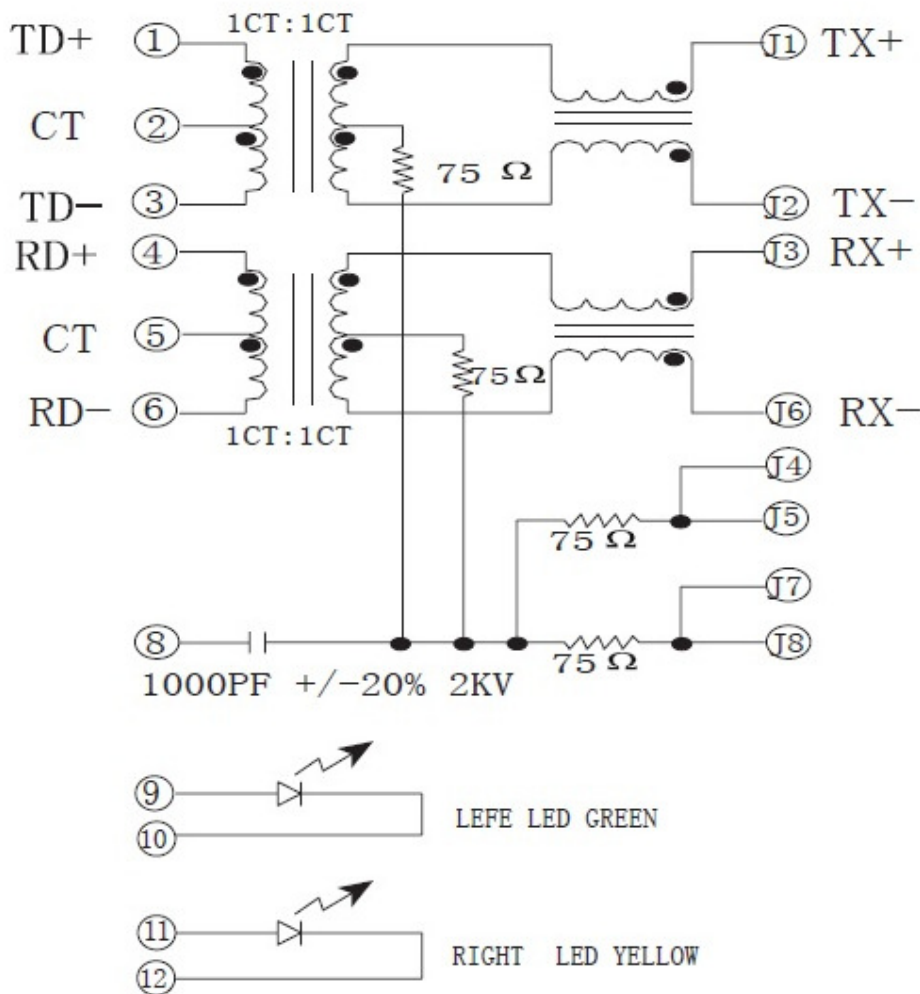
CIN NO. : U32100GJ1998PTC092136

## 1Port Magnetic Jack with LED

Specifications: Part No: JP-TS-10024-2

Rev.02: 07/05/2019

Page 2/3





PRAN ELECTRONICS PVT. LTD.

52, GIDC, Makarpura, Vadodara - 390 010. India.

Phone : +91 - 265 - 2635918 / 263 5920 / 9727158028

E- mail : info@pranelectronics.com Web : www.pranelectronics.com

**AN ISO 9001 : 2015 COMPANY**

CIN NO. : U32100GJ1998PTC092136

1Port Magnetic Jack with LED

Specifications: Part No: JP-TS-10024-2

Rev.02: 07/05/2019

Page 3/3

ELECTRICAL SPECIFICATIONS @ 25°C unless otherwise noted:

Insertion Loss: 1-100MHZ -1.0dB MAX

Return Loss: 1-30MHZ -16.0dB MIN

30-60MHZ -14.0dB MIN

60-80MHZ -10.0dB MIN

Cross Talk: 1-30MHZ -40.0dB MIN

30-60MHZ -35.0dB MIN

60-80MHZ -30.0dB MIN

CMR: 1M-100MHZ -35dB MIN

Hi-Pot: 1500v AC 6S 1mA

Turn Ratio: 1CT:1CT+/-3%

OCL:350uH MIN @ 100KHZ 100mV 8mA DC

Contacts: 0.35mm thick phos bronze plated with 6u' gold in contact are

Housing Material:PBT Black

Operating temperature range:-40°C-+85°C