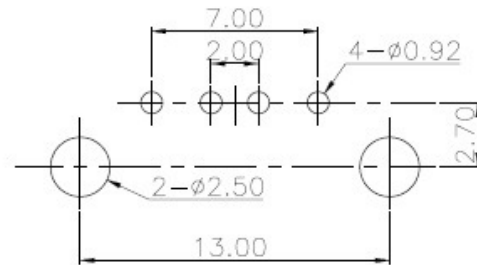
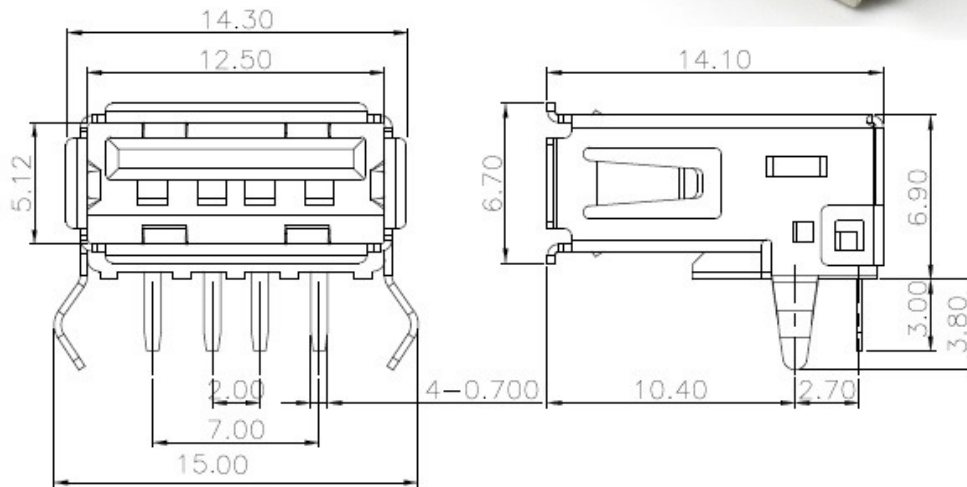
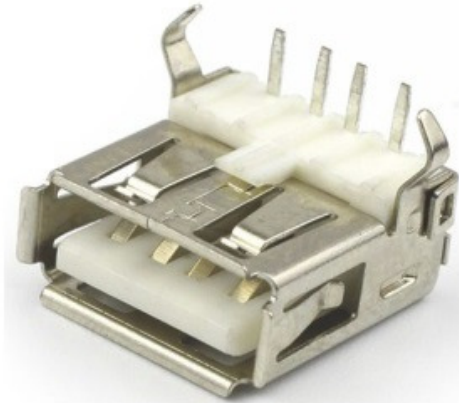


ROHS COMPLIANT



RECOMMENDED P.C.B HOLE LAYOUT

### 1.ELECTRICAL CHARACTERISTICS:

- 1-1.RATING: DC 30V 1.5A
- 1-2.CONTACT RESISTANCE:  $\leq 30m\Omega$
- 1-3.INSULATION RESISTANCE:  $\geq 1000M\Omega$  DC 500V
- 1-4.WITHSTANDING VOLTAGE: AC 500V 1min
- 1-5.LIFE: 5,000 CYCLES

### 2.MECHANICAL CHARACTERISTICS:

- 2-1.INSERTION FORCE: 35N Max
- EXTRACTION FORCE: 10N Min

### 3.Finish:

#### 3-1.TERMINAL:

GOLD  $< 1\mu m$  PLATING ON CONTACT AREA  
TIN  $< 2-5\mu m$  PLATING ON OTHER AREA  
NICKEL  $< 1-3\mu m$  UNDERPLATING OVERALL

#### 3-2.SHELL:

NICKEL  $< 1-3\mu m$  PLATING

Old Part: USB - A

New Part Number: USB-AF-20-031

DESCRIPTION: USB A 2.0 90 DEG. 14MM  
WITH EDGE CURL

DIMENSION TOLERANCE  $\pm 0.2mm$

REV. 0 DATE 28/04/2020

 PRAN ELECTRONICS PVT. LTD.  
INDIA.